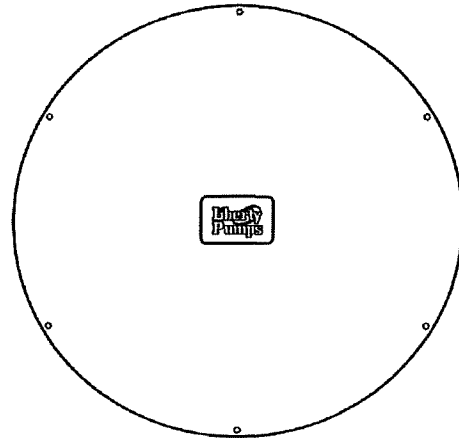
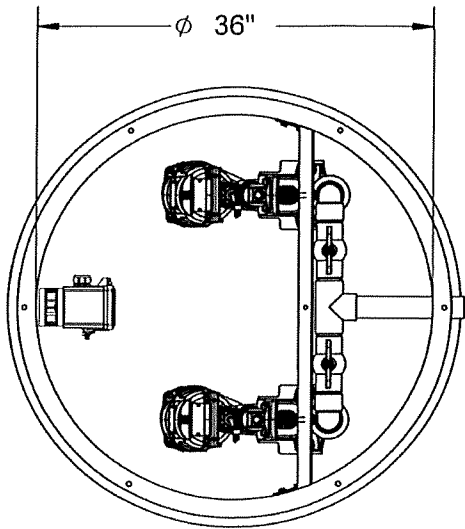


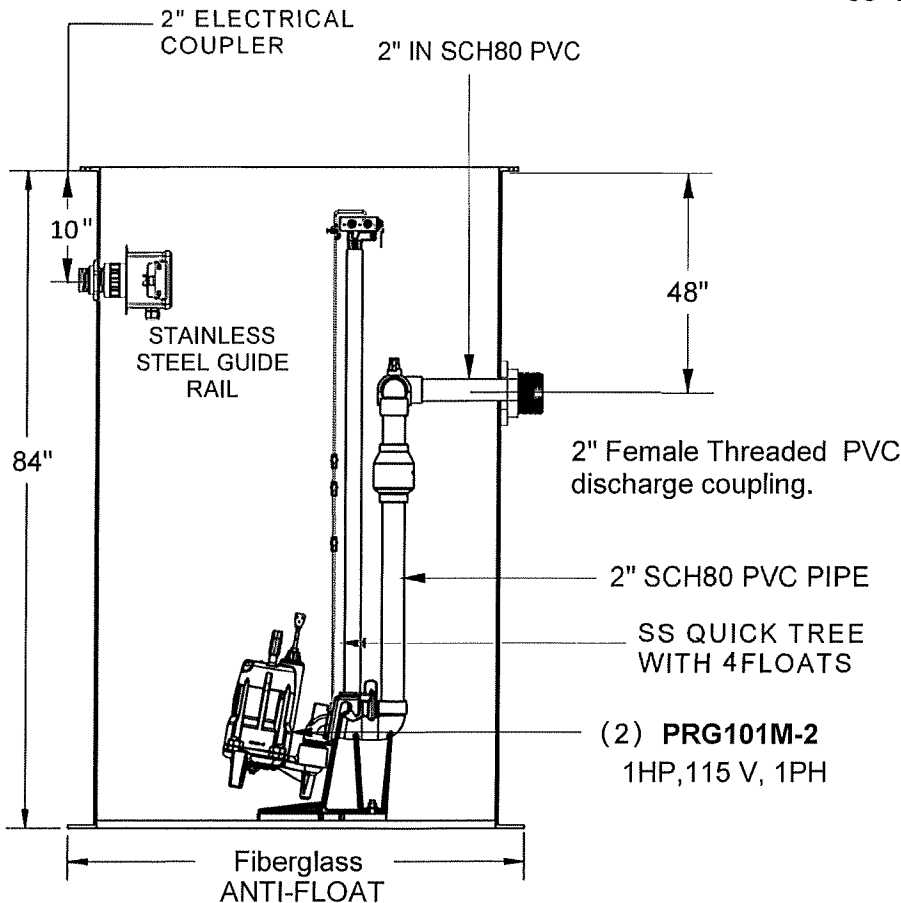
****NOTE: LIFTER CHAINS AND FLOATS NOT SHOWN. PUMPS SHIPPED SEPARATELY TO PREVENT SYSTEM DAMAGE**


EPS124842

36X84 DUPLEX PRG101M-2 GRINDER SYSTEM



36" Blank Fiberglass Cover




(1) 4" Unmounted Inlet Hub



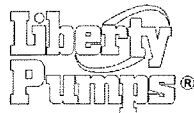
AE24L=4

22-April-2026 3:16 PM

Fiberglass Tank dimension tolerance(s): +/- 1"

Custom items are non-cancelable once order is placed. 100% restocking fee applies

PROPRIETARY AND CONFIDENTIAL
THE INFORMATION CONTAINED IN THIS DRAWING IS THE SOLE PROPERTY OF LIBERTY PUMPS. ANY REPRODUCTION IN PART OR AS A WHOLE WITHOUT THE WRITTEN PERMISSION OF LIBERTY PUMPS IS PROHIBITED.



7000 APPLE TREE AVENUE
BERGEN, N.Y. 14416
(585) 494-1817

QUOTED PROVIDED BY: P. POULTON

DO NOT SCALE DRAWING

REVISION: A

CUSTOMER APPROVAL

DATE:

NAME(PRINT):

NAME(SIGN):

FINAL CONFIGURATIONS MAY VARY SLIGHTLY FROM THE ILLUSTRATIONS ON THIS PRINT